

ERGOBJÖRN 707



TERMS & FUNCTIONS

Ergobjörn Trucks are used within the industry, in warehouses, for e-commerce, at hospitals and airports etc. A truck with a fully developed program for order picking and towing.

HelgeNyberg

THE PRODUCER OF ERGOBJÖRN

GOOD OVERVIEW

The compact design provides a good overview in all directions, which increases safety.

EASY TO HANDLE AND A JOY TO DRIVE

Developed for order picking. It is one of few trucks allowed to be driven on mezzanine floors. The compact design means a short turning radius.

ERGONOMIC CONTROLS

Ergonomy and smart functions make the truck intuitive and easy to drive. It is free from disturbing details.

FUNCTIONAL LED LIGHTS

Attractive design in combination with good function. Features that characterise a successful product.

WELL-THOUGHT OUT DRIVER SPACE

Wide, ergonomic and non-vibrating rubber floor. Works with presence control, where the truck can be driven only when the driver stands on the rubber platform. It also has smart compartments for storage.

ROBUST CONSTRUCTION

A robust and strong truck in the light-weight segment.

EASY BATTERY EXCHANGE – 20 SECONDS

Easy handling of battery exchange which only takes 20 seconds. Requires no specific area for charging.

NO HYDRAULICS, NO LEAKAGE

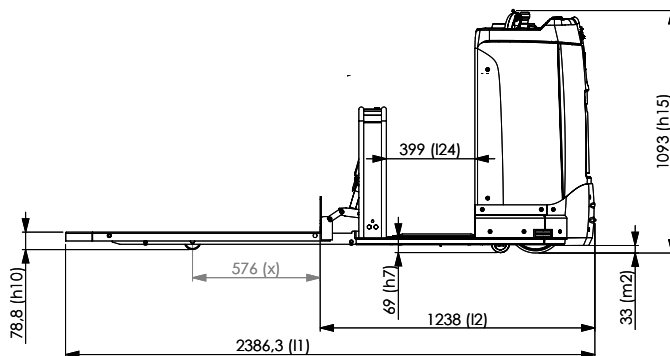
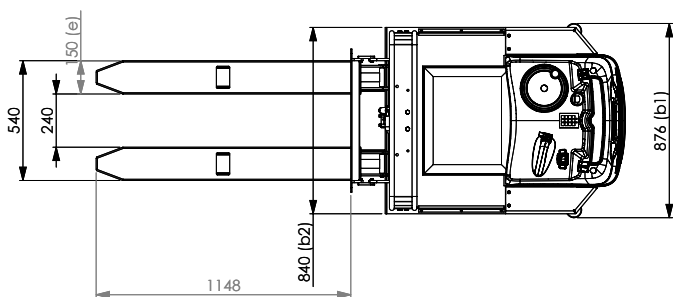
The truck is a "clean machine". No leakage from oil or battery acid.

STRONG ELECTRIC AC-DRIVE – INCREASED TOWING CAPACITY

Quieter, stronger and more sustainable. A 70% more powerful engine provides a prolonged running time.

EXTRA LOW IN-STEP – 70 MM

Probably the market's lowest in-step height contributes to a higher comfort.



Dimensions and technical data

Art No	14 16 47 07
Max. speed	12 km/h
Max. lifting capacity	500 kg
Lifting height	min 80 mm – max 205 mm
Max. gradient	10%
Length	2320 mm
Width	860 mm
Height	1100 mm
Threshold height	70 mm

Ground clearance	30 mm
Axle distance	1545 mm
Engine	
Electrical system	24 V (AC)
Power output	1000 W
Engine type	AC, "In-wheel-drive"
Drive wheels	ø250 x 80 Polyurethane
Rear wheels	ø80 x 90 Polyurethane
Support wheels	ø80 x 35 Polyurethane

Batteries			
Valve-regulated, maintenance-free gel batteries. No specific charging room equipment required.			
Voltage	Capacity	Battery weight	Total
24 V	76 Ah/C5	57,6 kg	305 kg
24 V	105 Ah/C5	75 kg	330 kg

Examples of accessories
Flashlight, accessory holder, memo board, extra battery cassette, battery exchange table etc.

HelgeNyberg

HEAD OFFICE / SWEDEN
Industrivägen 2
SE-523 90 Ulricehamn

Phone +46 321 263 00
Fax +46 321 263 01

info@helge-nyberg.com
www.helge-nyberg.com

SALES OFFICE / GERMANY
Contact information:
www.helge-nyberg.com