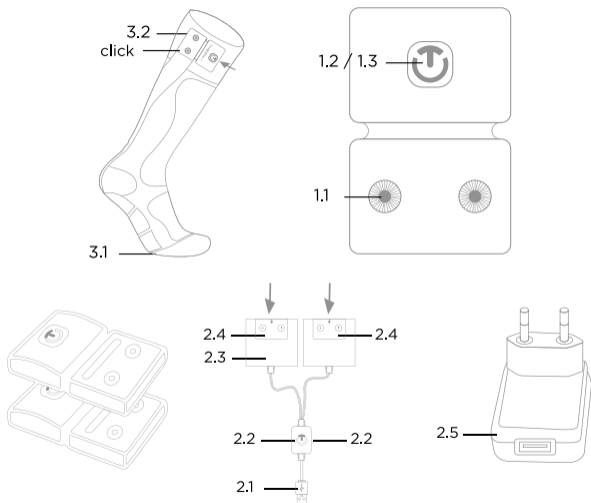


S-PACK

POWERED  Heat



INSTRUCTIONS FOR USE

ON 

Long push until permanent red light

 OFF

Long push until permanent red light



Video



Table of Contents:

| | |
|---|----|
| Introduction | 6 |
| Package contents | 6 |
| Safety precautions | 7 |
| Device description | 8 |
| Technical specifications | 9 |
| First use and charging of the S-Pack battery | 9 |
| Safety functions | 10 |
| How to use the S-Pack batteries | 11 |
| Important instructions for use | 11 |
| Function description | 11 |
| Heat level - heating period | 12 |
| Maintenance, storage and care of the S-Pack battery | 12 |
| Disposal | 13 |
| Accessories and spare parts | 13 |
| Guarantee | 14 |

STORAGE AND CARE OF LITHIUM-ION BATTERIES

Charge fully prior to each use.

Storage:

- 1. Before storing the batteries, discharge them and charge them again (see instruction manual) - DON'T FULLY CHARGE.*

- 2. Turn off S-Pack battery and disconnect them from the charger and sock.*

- 3. Store in a cool, dry environment at 5°C/41°F to 20°C/68°F.*

- 4. Avoid longer periods of non-use. If the storage exceeds a longer period, repeat the procedure of discharging the batteries and charging them halfway again every 5 months!*

The proper storage of your battery will help to maximise its life and strength. For more information, please read the operating instructions!

INTRODUCTION

Congratulations on your purchase of a S-Pack battery. Please read the instructions for use carefully before operating the device. Please retain these instructions and pass them on to other users. The S-Pack battery supply energy for the Therm-ic heating socks.

PACKAGE CONTENTS

Please verify the exact model name of your S-Pack battery.

S-Pack 700

- 2 S-Pack 700 battery pack (rechargeable)
- 1 USB S-Pack Therm-ic charging cable

S-Pack 1200

- 2 S-Pack 1200 battery pack (rechargeable)
- 1 USB S-Pack Therm-ic charging cable

S-Pack 700 Bluetooth®

- 2 S-Pack 700 Bluetooth® battery packs (rechargeable)
- 1 USB S-Pack Therm-ic charging cable

S-Pack 1400 Bluetooth®

- 2 S-Pack 1400 Bluetooth® battery packs (rechargeable)
- 1 USB S-Pack Therm-ic charging cable

Optional: 1 wall plug universal charger adaptor with USB output 5V/2A Therm-ic (including country-specific adaptors).

Note: Some models are not available in certain countries.

Free Bluetooth® app: Only available on Android and iOS systems. Please download installed your Android app or iOS app, and follow instruction on App or refer to www.therm-ic.com for instructions.

SAFETY PRECAUTIONS

General safety precautions:

- This device is not intended for use by persons (including children) with limited physical, sensory or mental abilities or without adequate experience and/or knowledge, unless they are supervised by or receive instructions on how to use the device from a person in charge of their safety.
- Cleaning and user maintenance shall not be made by children without supervision.
- It must only be supplied at SELV.
- Children should be supervised to make sure that they are not using the device as a toy.
- If you have problems sensing hot or cold objects (e.g. diabetics, disabled persons etc.), please consult your doctor before using the unit.
- Check your feet regularly for reddening of the skin. Excessive heat levels over prolonged periods of

time can lead to burns. Children may use the unit only under the supervision of adults.

- The device may not be used to warm animals.

IMPORTANT: For recharging, only use the supplied USB S-Pack Therm-ic charging cable. Charging is optimized using Therm-ic wall plug universal charger adaptor 5V/2A (optional). It is designed for indoor use and may not be exposed to damp surroundings.

- Never try to open the battery packs! Improper handling of the lithium-ion batteries can lead to an explosion!
- Damaged batteries must no longer be used and must be disposed of immediately.
- If damage to charging cables or other parts of the unit is found, do not use the unit. Do not make any modifications to the unit or use it for any unintended purposes. Always have any repairs to the battery packs carried out by the manufacturer only. Damaged chargers or charging cables cannot be repaired. Dispose of the charger in accordance with local regulations at a collection site for electrical waste.

- If questions or problems arise, please get in touch with your dealer or the manufacturer (www.thermic.com).
- Do not throw S-Pack battery into an open fire, as there is a risk of explosion.

DEVICE DESCRIPTION

S-Pack battery

- Snap fasteners for connection to the charging station and the heatable sock (1.1-3.2)
- Heat setting display 1 / 2 / 3 (1.2)
- Control button (1.3) (Instructions for use p3)

USB charging cable

- USB Charging cable unit (2.1)
- Charge indicator (2.2)
- Optional: wall plug universal charger adaptor with USB output 5V/2A Therm-ic (including country-specific adapters) (2.5)

TECHNICAL SPECIFICATIONS

| | | |
|---|---|---------------------------|
| USB wall plug universal charger* (incl. contry-specific adapters) | Input: 100V-240V - (50-60 Hz), max. 300 mA | Output: 5V / 2000 mA |
| USB charging cable ** | Input: 5V max. 2000 mA | Output: 4.2V / 2000 mA |
| Battery 700 | Output: 3.7 V / 1400 mAh | |
| Battery 1200 | Output: 3.7V / 2400 mAh | |
| Battery 1400 | Output: 3.7V / 2800 mAh | |

* Optional accessory from Therm-ic

** available in retail locations or from Therm-ic

FIRST USE AND CHARGING OF THE S-PACK BATTERY

Important note:

The S-Pack battery must be charged before using them for the first time.

Preparing the USB wall plug universal charger (optional). Slide your country-specific adapter into the slot on the back of the charger until it locks in with an audible click.

USB cable charging process:

1. Plug the USB cable into the USB port. The charge indicator (2.2) will light up green. Next, you plug the charging connectors of the cable into the batteries S-pack (2.4). Please check the illustration on the charger to ensure proper orientation. The S-Pack battery can be charged in any operating mode. The charging process will start automatically and the charge indicator (2.2) will light up in red during charging.
2. Once the S-Pack batteries are fully charged, the charging process is automatically concluded and

the LED on the charge indicator (2.2) will switch back to green.

- LED blinking on USB S-Pack charger between green and red when charge above 95%. LED stays green when fully charged.
- Remove both S-Pack batteries from the charging shaft.
- After the S-Pack batteries have been charged, they are automatically in POWER OFF mode.

Important note:

- Recharge the S-Pack battery after each use. This extends the service life of the batteries and ensures that the device is always ready for use.
- The battery consists of lithium ion cells and can be charged in any state. For this reason, the battery does not need to be fully discharged before charging.
- When starting the charging process, the S-Pack battery can be in any operating mode (POWER OFF, IN USE)
- The full charging capacity of the S-Pack battery can only be conserved if the S-Pack battery are remo-

ved from the charging station after the charging procedure is complete.

Charging times:

| Battery | S-Pack 700 | S-Pack 1200 | S-Pack 1400 |
|---------------|------------|-------------|-------------|
| Charging time | -3h30 | -5h00 | -6h00 |

Note that at half time of the charging time mentioned on table above, the battery is already charged at around 75% of its maximum capacity (fast charging process). Lab test done using Therm-ic USB wall plug universal charger (optional).

SAFETY FUNCTIONS

- Short circuit protection: If a short circuit occurs on the connector or heating element, the integrated electronic circuit switches off the S-Pack battery. After removal of the short circuit and brief insertion into the charging shaft, the S-Pack battery is ready for use again.

- Protection against overcharging and exhaustive discharge: The S-Pack battery is protected against overcharging and exhaustive discharge by the integral electronic circuit during use.

HOW TO USE THE POWERSOCK BATTERY

- Wear the heatable sock.
- Push the S-Pack battery on to the snap fasteners until they audibly lock into place (3.2).
- The S-Pack battery can be controlled with button (1.3) or with a iOS and Android app (only for S-Pack Bluetooth® enabled).

IMPORTANT INSTRUCTIONS FOR USE

- Do not allow the highest heat level to be switched on for more than a few minutes at a time. This could produce too much heat during operation, which may cause burns.
- Always set S-Pack battery to low or moderate heat levels to maintain comfortable foot warming (heating should be almost undetectable).
- The optimum heat output is only reached when the socks, boots or soles are dry.

- Never used the heatable sock and the heatable insole together; this can result in too much heat - risk of burning!

FUNCTION DESCRIPTION

S-Pack without bluetooth®

The S-Pack battery has 4 operating modes: POWER OFF - IN USE LEVELS 1-2-3. They are indicated with the heating level display on the S-Pack battery. The LED flashing modes corresponds to the selected heat setting.

S-Pack with bluetooth®

Using the phone App: Please refer to the Bluetooth® app or www.therm-ic.com.

Turning the device on:

Press the control button (1.3) for a long period of time (approx. 3 sec) to turn on the S-Pack battery at the lowest heat level. If the control button is pressed for too long (approx. more than 6s), the S-Pack will remain in OFF mode.

Changing the heat setting:

- Press the control button briefly (approx. 1s) to switch to next heat settings (Level1, Level2, Level3, Level1...)
- Level1: A flash, lower heat settings.
- Level2: 2 flashes, moderate heat settings
- Level3: LED ON, higher heat settings.

Turning the device off:

- Press the control button for a longer period of time (3 seconds) (1.3) to turn off the S-Pack battery.
- The S-Pack battery switches into POWER OFF mode.
- No LED is illuminated on the heat setting display (1.2).
- The heat is off.

Note:

Both S-Pack batteries can be used independently with different heat levels.

HEAT LEVEL - HEATING PERIOD

The following table shows the heating period for the heat levels, which can be set using the control buttons.

| Heat level | S-Pack 700 | S-Pack 1200 | S-Pack 1400 |
|------------|------------|-------------|-------------|
| 1 | 6-8 h | 12-14 h | 14-16 h |
| 2 | 4-5 h | 5h30-7h30 | 6-8 h |
| 3 | 1h45-2h15 | 3h45-4h15 | 4h30-5h00 |

The heating period per charge depends on the selected heating level, the ambient temperature and the charging status as well as the age of the batteries. Therefore heating times are provided for information only and are not contractual.

MAINTENANCE STORAGE AND CARE OF THE S-PACK BATTERY

To ensure a long life, we recommend storing the S-Pack battery in a cool room (at temperatures ranging from 5°C / 41°F to 20°C / 68°F) in a semi-charged status. The S-Pack battery must be

turned off (heat setting display (1.2)) dark) and disconnected from the sock and charger for storage.

For long-term storage, the S-Pack battery must be discharged and recharged half at least every 6 months (Charge for about 1/3rd of the time indicated on charging time table). This ensures that the maximum battery power is preserved for many years!

Clean the parts as needed with a soft, slightly damp cloth and a mild detergent.

Caution:

Always remove the charger from the outlet before cleaning it.

DISPOSAL

- If the device can no longer be used, please dispose of it and its packaging in an environmentally-friendly way that is in accordance with current regulations.
- Do not throw the charger or the battery packs away with normal household trash. Instead, dispose of the parts at a collection site for electrical waste.

- Packaging materials are raw materials and can be recycled. For this reason, please recycle the packaging.
- Battery packs must be disposed of at intended collection sites.
- Please contact your local authority for more information.

ACCESSORIES AND SPARE PARTS

When subsequently purchasing accessories or spare parts, please make sure to provide the exact Therm-ic model designation. Ideally, take the part to be replaced with you to your dealer.

We offer a number of accessories. All items (accessories and spare parts) are also available individually. More information can be found at www.therm-ic.com or from your specialist retailer.

Information subject to change.

This product complies with the relevant regulations and guidelines.



GUARANTEE

As the manufacturer we guarantee for this product for a period of two years after the date of purchase. Within this guarantee period we will remedy any defects arising from faulty material or manufacture, free of charge, either by repairing or exchanging the device at our discretion.

The following are not included in the guarantee: damage caused by improper use; normal wear and tear with only minor impact on the value or usability of the device.

The guarantee becomes null and void if the device is tampered with by unauthorised bodies, or where other than original THERM-IC spare parts are used.

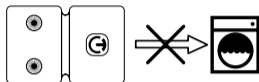
WARNING

Ensure you remove the battery from sock before machine washing.

Washing your socks:



The batteries are not waterproof and will remain water-resistant for a limited time only.



Innehållsförteckning:

| | |
|--|----|
| Inledning | 69 |
| I förpackningen ingår | 70 |
| Säkerhetsföreskrifter | 70 |
| Beskrivning av apparaten | 71 |
| Tekniska specifikationer | 71 |
| Ibruktage och laddning av S-Pack batterierna | 72 |
| Säkerhetsfunktioner | 73 |
| Användning av S-Pack batterierna | 73 |
| Viktiga användningsråd | 73 |
| Beskrivning av funktionerna | 74 |
| Effekt och uppvärmningstid | 75 |
| Synkronisering av Bluetooth® S-Pack | 75 |
| Underhåll, förvaring och skötsel av S-Pack batterierna | 75 |
| Bortskaffning | 76 |
| Tillbehör och reservdelar | 76 |
| Garanti | 76 |

FÖRVARING OCH UNDERHÅLL AV LITIJONBATTERIER

Ladda helt upp före varje användning.

Förvaring:

- 1. Innan du ställer undan batterierna, ladda ur dem och ladda dem halvvägs igen (se bruksanvisningen) - LADDA INTE FULLT*
 - 2. Stäng av S-Pack batterierna och koppla loss dem från laddaren och sulan.*
 - 3. Förvara dem på en sval och torr plats mellan 5°C/41°F och 20°C/68°F*
 - 4. Undvik långa perioder utan användning. Om förvaringen blir lång, ladda ur batterierna och ladda dem halvvägs igen åtminstone var 6:e månad!*
- En korrekt förvaring av batterierna säkrar maximal effekt och livslängd.*
- Ytterligare information hittar du i bruksanvisningen.*

IINLEDNING

Tack för att du köpte dessa S-PACK batterier.

Läs noga igenom anvisningarna innan du sätter i gång apparaten. Spara dem omsorgsfullt och se till att andra användare läser dem.

S-PACK batterierna producerar energi för strumporna Therm-ic PowerSocks.

I FÖRPACKNINGEN INGÅR

Lägg noga på minnet namnet på din S-PACK modell.

S-Pack 700

2 S-Pack 700 batterier (uppladdningsbara)

1 S-Pack Therm-ic USB-laddare

S-Pack 1200

2 S-Pack 1200 batterier (uppladdningsbara)

1 S-Pack Therm-ic USB-laddare

S-Pack 700 Bluetooth®

2 S-Pack 700 Bluetooth® batterier (uppladdningsbara)

1 S-Pack Therm-ic USB-laddare

S-Pack 1400 Bluetooth®

2 S-Pack 1400 Bluetooth® batterier (uppladdningsbara)

1 S-Pack Therm-ic USB-laddare

I tillval: 1 universell 5V/2A Thermic laddare (med adaptrar enligt landets standard).

Obs!: Vissa modeller är inte tillgängliga i alla länder.
Gratis app från Bluetooth®: Tillgänglig på Android och

iOS. Ladda ned appen på Android eller iOS, och följ instruktionerna.

Mer information på www.therm-ic.com.

SÄKERHETSFÖRESKRIFTER

Allmänna säkerhetsföreskrifter:

- Denna apparat ska inte användas av personer (inklusive barn) med begränsade fysiska eller mentala förmågor eller brist på erfarenhet och/eller kunskap, om de inte övervakas eller får instruktioner gällande användningen av apparaten av en person som ansvarar för deras säkerhet.
- Barn bör övervakas så att de inte leker med batterierna.
- Om du inte kan känna varma eller kalla temperaturer exakt (diabetiker eller handikappade användare, etc.), rådfråga en läkare innan du använder produkten.
- Kontrollera regelbundet för att se om rodnader bildas på fötterna. Det finns risk för brännskador vid långvarig exponering för extrem värme. Följaktligen får barn använda denna apparat endast om de övervakas av en ansvarig vuxen.

- Denna apparat får inte användas för att värma djur.

VIKTIGT:

Använd för laddning endast USB Therm-ic laddaren eller den levererade universella Therm-ic 5V/2A laddaren (i tillval). Den är avsedd för användning inomhus och får inte utsättas för fukt.

- Försök aldrig öppna batteripaketen. Det finns en explosionsrisk om litiumjonbatterierna hanteras olämpligt!
- Skadade batterier får inte användas och måste bortskaffas så snart som möjligt.
- Om du upptäcker att laddarens kablar eller andra delar av apparaten är skadade, får den inte användas. Ändra inte denna artikel och använd den endast för de ändamål den är avsedd för. Batterierna ska repareras endast av tillverkaren. Skador på laddaren eller dess kablar kan inte repareras. Lämna in laddaren på ett insamlingsställe för elektroniskt avfall enligt bestämmelserna i fråga om avfallshantering!
- Om du har frågor eller problem, vänd dig till återförsäljaren eller till tillverkaren.
- Kasta inte S-Pack batterierna i öppen eld: explosionsrisk!

BESKRIVNING AV APPARATEN

S-Pack batterier

- Tryckknapp på batteriet som kläms fast på värmestrumpan (1.1 3.2)
- Visning av värmenivån 1 / 2 / 3 (1.2)
- En enda knapp för inställning av värmenivån (1.3) (jfr Bruksanvisning s3)

USB-laddare

- USB-laddare (2.1)
- Laddningsindikator (2.2)
- I tillval universell 5V/2A laddare (med adaptrar enligt landets standard (2.5))

TEKNISKA SPECIFIKATIONER

| | | |
|--|---|------------------------|
| Universell laddare* (med adaptrar enligt landets standard) | Ineffekt: 100V-240V - (50-60 Hz), max. 300 mA | Uteffekt: 5V / 2000 mA |
|--|---|------------------------|

| | | |
|----------------------------|---------------------------------|-----------------------------|
| USB-laddare Therm-ic ** | Ineffekt: 5V max. 2000 mA | Uteffekt: 4.2V / 2000 mA |
| Batteri 7001 | Uteffekt: 3.7 V / 1400 mAh | |
| Batteri 1200 | Uteffekt: 3.7V / 2400 mAh | |
| Batteri 1400 | Uteffekt: 3.7V / 2800 mAh | |

* I tillval: reservdel tillgänglig hos Therm-ic

** Tillgänglig i handeln eller som reservdel hos Therm-ic

IGÅNGSÄTTNING OCH LADDNING AV S-PACK BATTERIER

Viktig anmärkning:

Batterierna måste laddas före den första användningen!

USB-laddning:

1. Anslut laddaren till ett USB-uttag. Laddningslampan (2.2) lyser grönt. Placera sedan de två S-PACK batterierna i laddningsfacket på laddaren (2.4),

följ bilden på laddaren för att vara säker på att du placerar dem rätt. Batterierna kan laddas i vilket driftsläge som helst. Laddningen startar automatiskt och laddningsindikatorn (2.2) lyser rött under laddningen.

2. Då batterierna är fulladdade, avslutas laddningen automatiskt och laddningslampan (2.2) blir grön.
3. Ta ut båda batterierna ur laddningsfacket.
4. Efter att batterierna har laddats, övergår de automatiskt till frånslaget läge (AV).

Förbered den universella laddaren så här: Stick in adaptorn som motsvarar ditt land i utrymmet på laddarens baksida, ända tills du hör att den trycks fast.

Viktigt råd:

- Ladda upp S-PACK batterierna efter varje användning. Detta bidrar till en längre livslängd för batterierna och gör att anordningen alltid är klar för användning.
- Batteriet består av litiumjonceller och kan laddas i vilket tillstånd som helst. Därför behöver det inte längre laddas ur fullständigt, innan det laddas upp.

- Vid start av laddningen kan S-PACK batterierna vara i vilket driftsläge som helst. (AV, PÅ)
- Den maximala laddningskapaciteten hos batterierna kan behållas endast om batterierna tas ut ur laddaren efter att laddningen slutförts.

Laddningstider:

| Batterier | S-Pack 700 | S-Pack 1200 | S-Pack 1400 |
|--------------|------------|-------------|-------------|
| Laddningstid | -3tim30min | -5tim00min | -6tim00 |

Lägg märke till att vid hälften av ovannämnda laddningstid batteriet redan har laddats till cirka 75% av sin maximala kapacitet (snabb laddning). Test i laboratorium utfört med den universella USB-laddaren från Therm-ic (i tillval).

Därför ges uppvärmningstiderna endast i upplysningsyfte och är inte bindande.

SÄKERHETSFUNKTIONER

- Mot kortslutningar: Vid kortslutning som uppstår vid uttaget eller värmeelementet, inaktiveras batterierna av den inbyggda elektroniken. När

kortslutningen har eliminerats och batterierna åter anslutits i laddningsfacket, kan de användas på nytt.

- Skydd mot överlast och urladdning: den inbyggda elektroniken i batterierna skyddar i realtid mot överlast och urladdningar.

ANVÄNDNING AV S-PACK BATTERIERNA

- Ta på dig värmestrumporna.
- Tryck på två knapparna på S-PACK batterierna tills du hör ett klick (3.2).
- S-Pack batterierna kan styras med knappen (3.2/ 1.3) eller med Bluetooth® genom att ladda ned den kompatibla Thermic mobilapplikationen.

VIKTIGT: ANVÄNDNINGSRÅD

- Låt inte batterierna vara inställda på maximal värme i mer än några minuter; förlängd användning kan få temperaturen att stiga extremt och förorsaka brännskador.
- Ställ alltid in S-PACK batterierna på låg eller måttlig värme för att upprätthålla en behaglig temperatur för fötterna (värmeeffekten ska vara nästan omärkbar).

- Optimal uppvärmningstemperatur har nåtts när strumporna, skorna eller sulorna är torra.
- Använd aldrig värmestrumporna på samma gång som värmesulor, för att undvika extrem värme: risk för brännskador!

BESKRIVNING AV FUNKTIONERNA

S-Pack utan bluetooth®

S-PACK batterierna har 4 funktionslägen: AV - NIVÅER 1,2,3. Dessa funktionslägen signaleras av en indikator som visar värmeeffekten, där antalet blinkningar motsvarar önskad värmenivå. Uppvärmningseffekten i batterierna kan ställas in på 3 nivåer (level1, level2, level3), tack vare en manöverzon med en enda knapp (1.2). Batterierna är avstängda när dioden för värmenivån är avstängd.

S-Pack bluetooth®

Användning av Bluetooth®-appen: följ instruktionerna vid nedladdningen.

Mer information på www.therm-ic.com.

PÅ (ON):

- Tryck länge (ca 3 sekunder) på funktionsknappen för att ställa in S-PACK batterierna på lägsta värmenivån. Efter 6 sekunders tryckning övergår knappen till säkerhetsläge och släcks.

INSTÄLLNING:

- Varje tryckning (ca 1 sekund) på funktionsknappen ökar värmeeffekten (Level1, Level 2, Level 3).
- Nivå 1 (Level 1): 1 blinkning, låg värmeeffekt.
- Nivå 2 (Level 2): 2 blinkningar, medelhög värmeeffekt.
- Nivå 3 (Level 3): Fast sken, hög värmeeffekt.

AV (OFF):

- Stäng av S-Pack batterierna genom att trycka länge (3 sekunder) på funktionsknappen ända tills indikatorn för värmenivå släcks (1.2).

EFFEKT OCH UPPVÄRMNINGSTID

Följande tabell anger upplysningsvis max. temperatur och uppvärmningstid för nivåerna, som kan ställas in med funktionsknapparna.

| Nivåer | S-Pack 700 | S-Pack 1200 | S-Pack 1400 |
|--------|------------------------|------------------------|------------------------|
| 1 | 6-8 tim | 12-14 tim | 14-16 tim |
| 2 | 4-5 tim | 5tim30min 7tim30min | 6-8 tim |
| 3 | 1tim45min 2tim15min | 3tim45min 4tim15min | 4tim30min 5tim00min |

Uppvärmningstiden beror på den valda värmeeffekten, omgivande temperatur, batterierna, deras laddningsnivå och ålder.

SYNKRONISERING AV Bluetooth® S-PACK

Gratis Bluetooth®-app: Tillgänglig på Android och iOS. Ladda ned appen på Android eller iOS, och följ instruktionerna. Mer information på www.therm-ic.com.

UNDERHÅLL, FÖRVARING OCH SKÖTSEL AV S-PACK

För att förlänga batteriernas livslängd rekommenderar vi att ladda upp dem halvvägs och förvara dem på en sval plats (5°C/41°F-20°C/68°F). Innan förvaringen ska batterierna inaktiveras (visning av avstängd värmeeffekt (1.2)) och tas loss från värmestrumpan och laddaren.

Om förvaringen blir lång, kom ihåg att ladda ur S-PACK batterierna och sedan ladda dem halvvägs igen åtminstone var 6:e månad (Laddning under ca 1/3 av tiden som anges i tabellen över laddningstiderna). Detta låter batterierna behålla sin maximala effekt i flera år!

Vid behov kan du rengöra de olika delarna med en lätt fuktad tygduk och ett mildt rengöringsmedel.

Observera:

Ta loss laddaren ur strömuttaget före varje rengöring.

BORTSKAFFNING

- När apparaten når slutet av sin livscykel, ska bortskaffningen av den och dess förpackning ske enligt gällande bestämmelser i fråga om miljövård.
- Laddaren och S-PACK batterierna får inte kastas med vanligt hushållsavfall, de ska lämnas in på ett insamlingsställe för elektroniskt avfall.
- Förpackningsmaterialen är återvinnbara råmaterial. Ta dem till en återvinningscentral.
- S-PACK batterierna ska lämnas in på ett insamlingsställe.
- Mer information får du av behöriga myndigheter.

TILLBEHÖR OCH RESERVDELAR

Om du vid en senare tidpunkt köper tillbehör eller reservdelar, behöver du veta det exakta namnet på den Therm-ic modell du har. Den bästa lösningen är att ta med den del som ska bytas till återförsäljaren.

Vi tillhandahåller ett stort antal tillbehör.

Alla artiklar (tillbehör och reservdelar) är även tillgängliga separat.

Mer information får du på webbplatsen www.thermic.com och av din specialiserade återförsäljare.

Med förbehåll för ändringar.

Denna produkt överensstämmer med gällande lagar och direktiv.



GARANTI

I egenskap av tillverkare garanterar vi denna produkt under en period på två år efter inköpsdatumet.

Inom denna garantiperiod åtgärdar vi kostnadsfritt defekter orsakade av material- eller fabrikationsfel, genom att reparera eller byta ut enheten enligt vår bedömning.

Följande täcks inte av garantin: skada orsakad av felaktig användning; normalt slitage med föga effekt på enhetens värde eller användbarhet.

Garantirättigheterna upphör om enheten ändras med otillåtna delar, eller om andra reservdelar än originaldelar från THERM-IC används.

VARNING

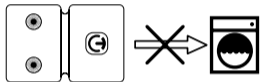
Kom ihåg att ta ut batteriet ur strumpan före maskintvätt.

BRUKSANVISNING / SVENSKA

Tvätta strumporna



Batterierna är inte vattentäta och är vattenbeständiga endast under en begränsad tid.





THERM-IC

Therm-ic

Sidas SAS

18, Rue Léon Béridot

BP 353 - 38509 Voiron Cedex

France

therm-ic.com

info@therm-ic.com